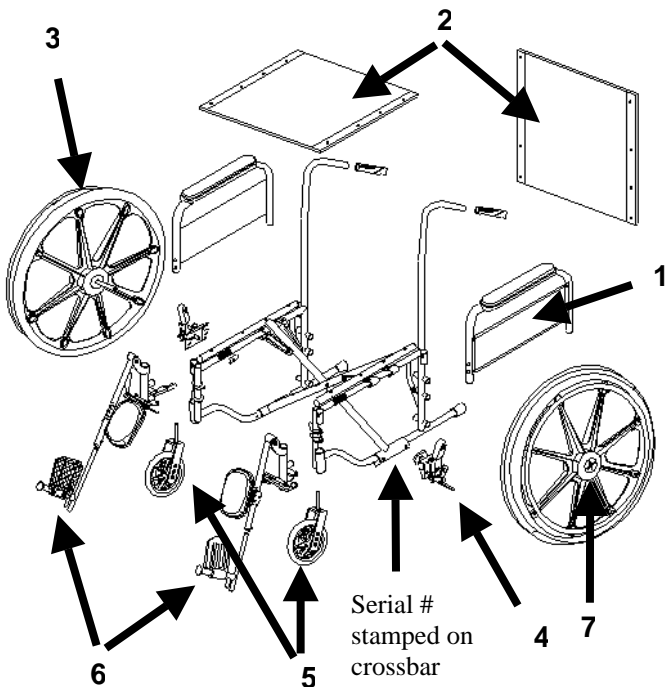




Excel Wheelchair Owner's Manual

Please read this manual before operation for, warnings, maintenance and safe usage instructions of this wheelchair.

Wheelchair Terminology



- | | |
|-------------------------|------------------------|
| 1. Armrests | 4. Wheel Locks |
| 2. Seat/Back Upholstery | 5. Casters |
| 3. Wheel and Handrim | 6. Footplates/Footrest |
| | 7. Quick Release Axle |

WARNINGS:

Do not operate, maintain or adjust wheelchair without reading and understanding all instructions in the manual.

- This wheelchair has not been approved as a seat surface to be used within a vehicle of any kind. Always transfer the wheelchair user to an approved vehicle seat and use restraints available from the auto industry for this application.
- Do not operate this wheelchair on streets or roadways.
- Do not operate wheelchair on inclines greater than 10% without assistance.
- Completely engage the wheel locks when entering and leaving the wheelchair or using the wheelchair in an elevator or a wheelchair lift.
- The wheelchair should be on a stable, level surface and wheel locks should be engaged before transferring the user to or from the wheelchair.
- Do not adjust the footrests any closer than 2 ½ inches from the floor.
- Do not stand or put pressure on the footrests.
- Before leaning or reaching forward, rotate the casters toward the front of the wheelchair and engage wheel locks to help prevent the wheelchair from tipping over.

WARNINGS (Continued):

- Do not lean wheelchair back since this can cause the wheelchair to tip over. If trying to reach objects, reach back only as far as your arm will extend without altering your seating position.
- Do not use the wheel locks to slow your descent down an incline.
- Changing direction when going down an incline could cause instability.
- Do not transfer in and out of this wheelchair on your own unless you have sufficient upper body strength, balance and agility.
- Do not use this wheelchair on stairs or escalators.
- Do not exceed the weight capacity of this wheelchair. The weight capacity includes the weight of the rider plus items carried or attached to the wheelchair.
- Do not modify the wheelchair (such as drilling holes, grinding, welding parts, using non-approved parts, etc.). Such modifications may increase the risk to the user and void the warranty.
- Do not operate on loose, slippery, or uneven surfaces such as sand, gravel, dirt roads or ice.

WARNINGS (Continued):

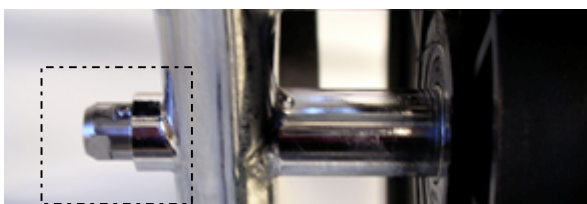
- Any person assisting the rider in the maneuvering or lifting the wheelchair must have sufficient strength and be able to see obstacles in the path of travel.
- Assure that the quick release axles for rear wheels are in the locked position before use. The axles are locked when the quick release button is fully popped out and the ball bearings on the other end of the axle are fully exposed. Also check that the axle is locked by pulling on the wheel. A quick release axle that is not fully locked can allow the wheel to come off during use.

Quick Release Push Button must be fully popped out.

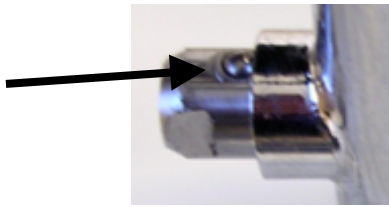


(continued on next page..)

WARNINGS (Continued):



Ball bearings
must be fully
exposed



Congratulations on your selection of a Medline Wheelchair. Medline wheelchairs are the result of extensive engineering and are manufactured to meet our rigid specifications and to surpass your expectations.

Medline wheelchairs are designed to combine comfort, safety and reliability. Medline Industries, Inc. is committed to the quality of our products and to the satisfaction of our customers.

Use and Safety:

To Open Chair - Open wheelchair by tilting to one side and pushing downward on the seat rail until fully open. Make sure the seat tubing rests completely inside the seat cradles.

To Close/Fold Chair- Fold footplates to the vertical position. Grab seat upholstery with both hands at the front and back edge and lift up, or tilt chair to one side and lift up on the seat rail.

Wheel Locks-Engage the wheel locks on both wheels before entering the chair, leaving the chair, leaning forward in the chair, or while being transported in an elevator or a wheelchair lift. Check to make sure that the legrests do not unlock the wheel locks when they are swung back.

When adjusted correctly, the wheel lock shoe should be embedded into the tire at least 1/8" when engaged in the locked position. Wheel locks are activated by pushing the handle completely forward. To adjust locks, loosen the nut on the carriage bolt. Slide the clamp toward the rear wheel until the lock shoe is embedded at least 1/8 inch into the tire when the handle is engaged in the locked position. Tighten the nut and bolt to secure in position. Inspect for

correct locking action BEFORE actual use.

Removal of Swingaway Footrest/Legrest – Release the lock by pushing on the front rigging lever. Swing the footrest/legrest outward and sideways. Lift up on the assembly to remove the footrest or legrest.

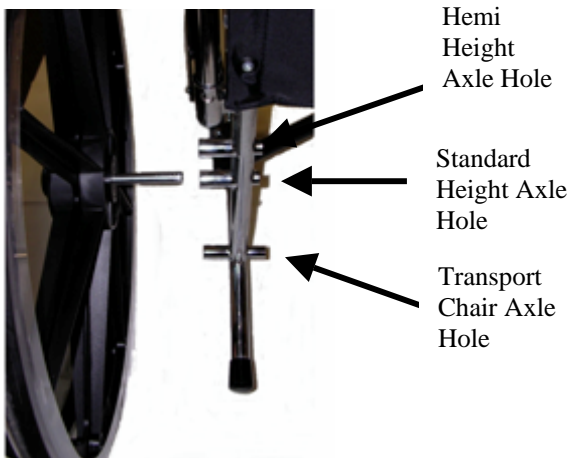
Adjusting length of the Footrest/Legrest - When adjusting the length of the footrest/legrest, the wheelchair user should be sitting in the wheelchair with his/her feet on the footplates. Loosen the bolt on the clamp around the support assembly. Raise or lower the footplate as needed to provide maximum support of the thighs on the seat upholstery. The front rigging should not be lowered to the point that it causes pressure to thighs at front of seat upholstery. The footrest should not be closer than 2 ½" from the ground to ensure proper clearance.

Adjusting/Elevating Legrest - Lift up on the legrest assembly on the footplate to the desired height or position. Release the legrest assembly and it will automatically lock in place. To lower, push out on legrest lever and slowly lower the footplate until the desired position is reached.

Removable Arms - To remove the arms, depress the spring button and lift the arm out of the front and rear sockets.

Adjusting to Hemi Height (lowering the rear frame by 2 inches)

Step 1: Depress the quick release button on the wheel hub and pull off the wheel and quick release the axle from the



standard height axle hole.

Step 2: Remove the plastic plug on the hemi height axle hole and insert into the standard height axle hole.

Step 3: Insert the quick release axle with the wheel into the hemi height axle hole. Push in all the way. Make sure the quick release button pops out all the way and the two bearings are fully showing.

(Caution: Never attempt to use the 24" large wheel on the Transport Chair axle hole position.)

Caution: Stability – The wheelchair is designed to be safe and stable as long as you maintain your center of gravity in the chair. Never reach for objects that require you to shift in the seat or bend over out of the chair. Whenever reaching for objects that require you to lean, make sure the front casters are pointing in a forward position, which extends the wheel base and will help stabilize the chair.

Ramps – Know your own capabilities and limitations in terms of strength and endurance before attempting to go up a ramp. You and your attendant should first consult a qualified professional for correct techniques on ramp negotiation. Assistance is recommended when going up or down steep inclines greater than 10%. If it becomes necessary to stop on an incline, avoid sudden, abrupt forward movement when you resume propelling the chair. Because of the backward angle of the chair, sudden abrupt movement could cause instability. Attempting to use the wheel lock brakes could result in accidental locking, veering or tipping to one side, or suddenly stopping. Avoid changing direction when going down an incline, as this could cause instability.

Maintenance

It is highly recommended that the wheelchair be taken to a qualified dealer annually for a thorough inspection and maintenance/repair service.

General Care- Wipe off the chrome parts at least once a week using a clean, soft cloth. Clean all metal parts with auto wax or similar products. Dry the chair immediately if exposed to moisture. Do not use abrasive cleanser or materials that will scratch the finish off the chair.

Monthly Checks:

Inspect the entire wheelchair for broken parts and loose fasteners. Replace or tighten as needed.

Front and Rear Tires-Solid tires require minimal maintenance, but should occasionally be cleaned with a damp cloth. Replace the tires if they become cracked or severely worn.

Front Caster and Rear Wheels – Check that the wheels are not warped and the spokes are not broken. Also assure that the bearings are in good working condition and the wheels spin freely.

Front Forks – Verify that the forks swivel freely without binding. If binding occurs, check the bearings and clean the fork stem housing. If the nut is too loose, the caster will flutter or shimmy. If it is too tight, the chair will be difficult to steer.

Wheels - The large rear wheels should be checked for correct tightness. If the wheel wobbles or is loose, the bearings may be worn. The quick release bolt may not be locked in place or it may need to be adjusted. To check if the quick release axle is locked in place, make sure the push button is popped out and that the two small ball bearings are protruding through the holes on the opposite end of the axle. Do not attempt to adjust the quick release mechanism unless you are qualified to do so. Take the wheelchair to your local dealer for service.

Quick release mechanism – The quick release mechanism should be checked for proper function. The quick release should be cleaned and lubricated (or replaced if necessary) if the push button does not actuate easily or there is dirt/grime build up.

Frame – Check that the frame is not bent or dented. Check the tubing for cracks and rust. If such issues are found, take the wheelchair to your local service dealer.

Clean and lightly oil the three rear axles on each side of the frame to prevent rust. Plastic caps should be placed over the axles while not in use.

Medline Limited Warranty

Your Medline Excel 3000 wheelchair frame is warranted to be free of defects in material and workmanship for the life of the original consumer purchaser. The life of the frame is five years. The upholstery, quick release mechanism, fasteners and other parts have a warranty of six months.

This warranty does not cover device failure due to owner misuse or negligence, or normal wear and tear. The warranty does not extend to non-durable components such as rubber accessories, tires, casters and grips, which are subject to normal wear and replacements.

For more information about your wheelchair, warranty or to reorder parts call 1-800-MEDLINE.



Medline is a registered trademark of Medline Industries, Inc.
Manufactured for Medline Industries, Inc., Mundelein, IL 60060 USA