

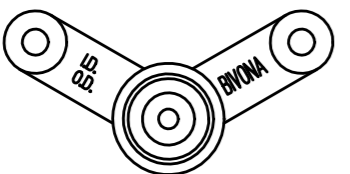
BIVONA[®] CUSTOMIZED FIXED NECK FLANGE TRACHEOSTOMY TUBE TEMPLATE (USA ONLY)



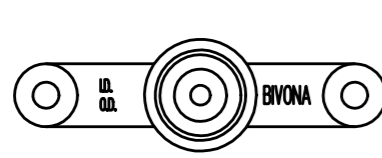
SELECT TYPE SERVICE

- 3-4 WEEKS (STERILE)
- STANDARD SERVICE (NON STERILE)
- EXPRESS SERVICE (NON STERILE)
- SAME DAY SERVICE (NON-STERILE)

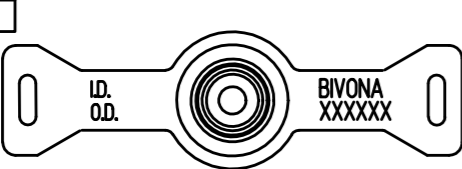
NECK FLANGE OPTIONS.

 A

FIXED NECK FLANGE
AVAILABLE SIZES:
2.5 - 5.5mm

 B

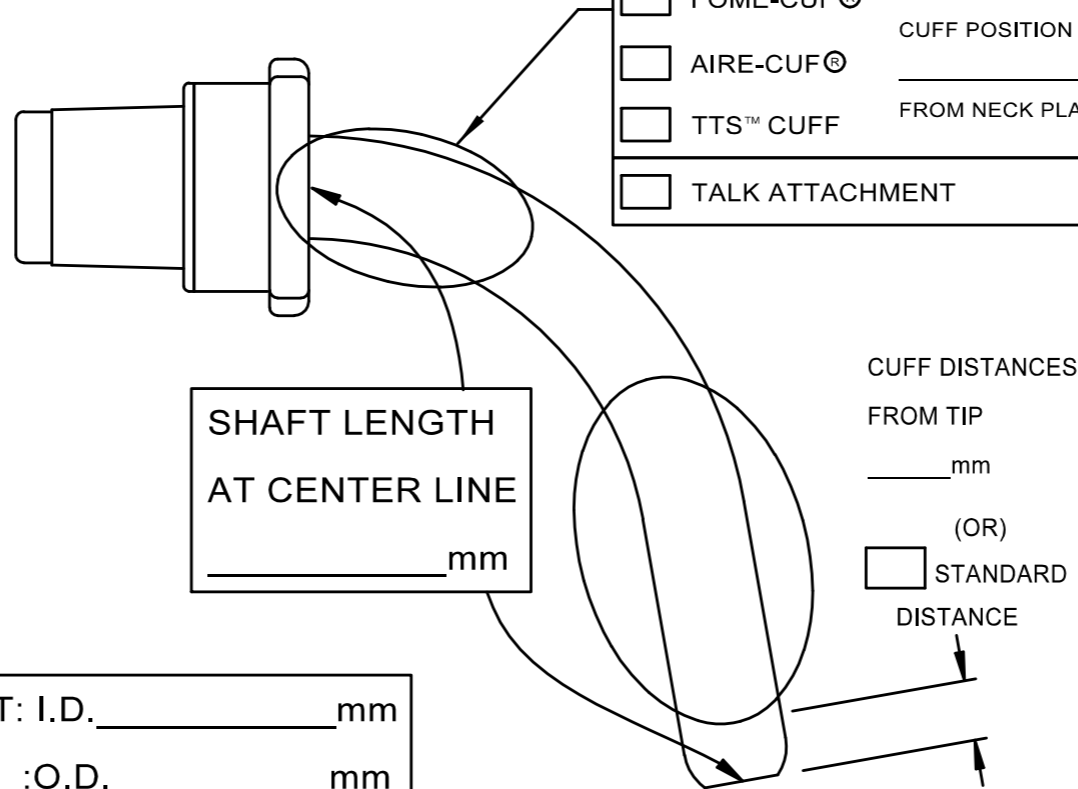
FIXED NECK FLANGE
AVAILABLE SIZES:
2.5 - 9.5mm

 C

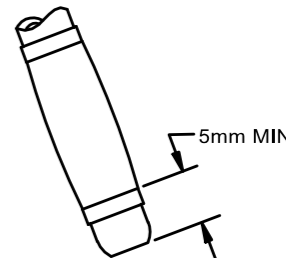

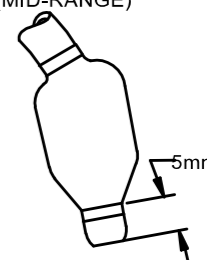
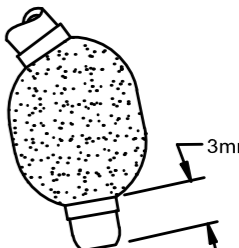
FIXED NECK FLANGE
AVAILABLE SIZES:
2.5 - 9.5mm

OPTIONAL


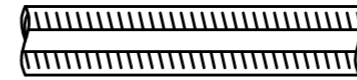
- SOLID SILICONE
- FOME-CUF[®]
- AIRE-CUF[®] CUFF POSITION FLUSH (OR) _____mm
- TTS[™] CUFF FROM NECK PLATE.
- TALK ATTACHMENT



CUFF OPTIONS.

- UNCUFFED
- TTS[™] TIGHT TO SHAFT  5mm MIN
- AIRE-CUF[®]
 - PED. A/C 
 - ADULT A/C (MID-RANGE)  5mm MIN
- FOME-CUF[®]  3mm MIN

SHAFT OPTIONS.

- STANDARD SILICONE 
- HYPERFLEX[™] WIRE REINFORCED 

CLINICIAN: _____		DATE: _____		P.O. NUMBER: _____		FOR QUESTIONS CALL 1-800-424-8662 (USA ONLY) (001)(219)989 9150 (OUTSIDE USA)		SMITHS-MEDICAL USE ONLY	
CLINICIAN SIGNATURE: _____		METHOD OF PAYMENT: _____		APPROVAL: _____					
CLINICIAN CREDENTIALS: _____		PATIENT/CLIENT ID: _____		FACILITY TYPE: _____		FAX COMPLETED TEMPLATES TO (001)(219)989-7435		REORDER# _____	

SOP-04-07 APPENDIX 7 REV 14 PAGE 1 OF 1

CAUTION FEDERAL (USA) LAW RESTRICTS THIS DEVICE TO SALE BY OR ON THE ORDER OF A PHYSICIAN
NOTE: PLEASE PRINT CLEARLY. SMITHS-MEDICAL WILL REVIEW THE COMPLETED TEMPLATE FOR COMPLIANCE.
ANY REQUIRED MODIFICATIONS WILL BE MADE WITH THE APPROVAL OF THE CLINICIAN.

Website: www.smiths-medical.com